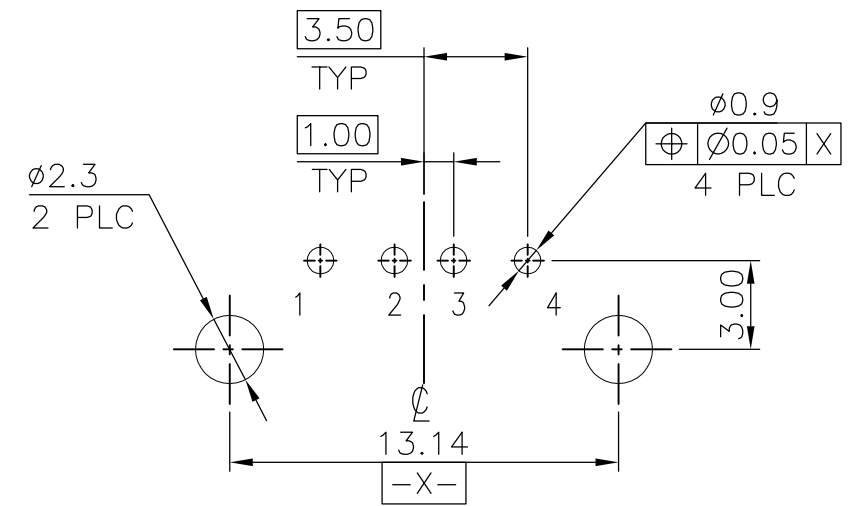
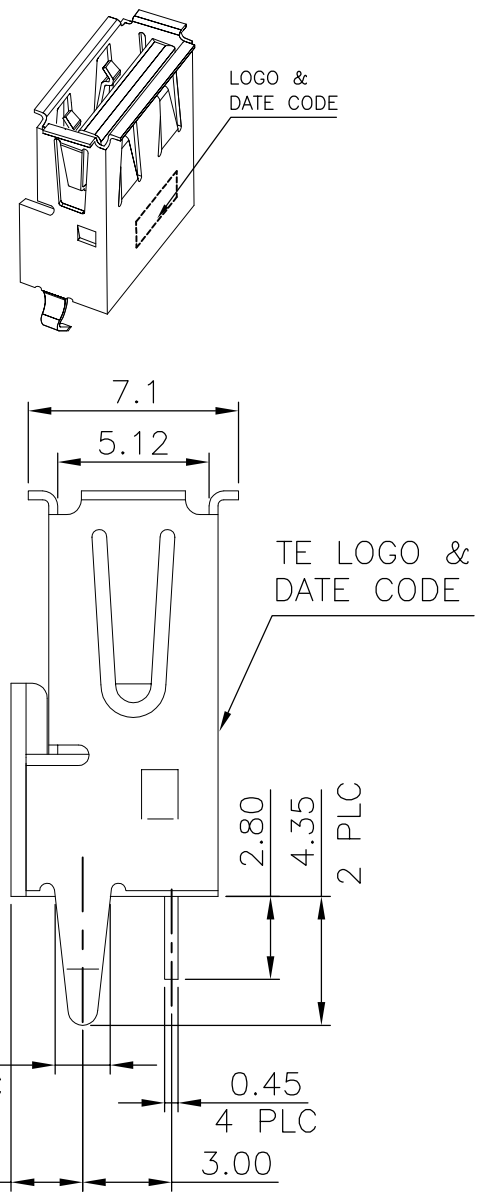
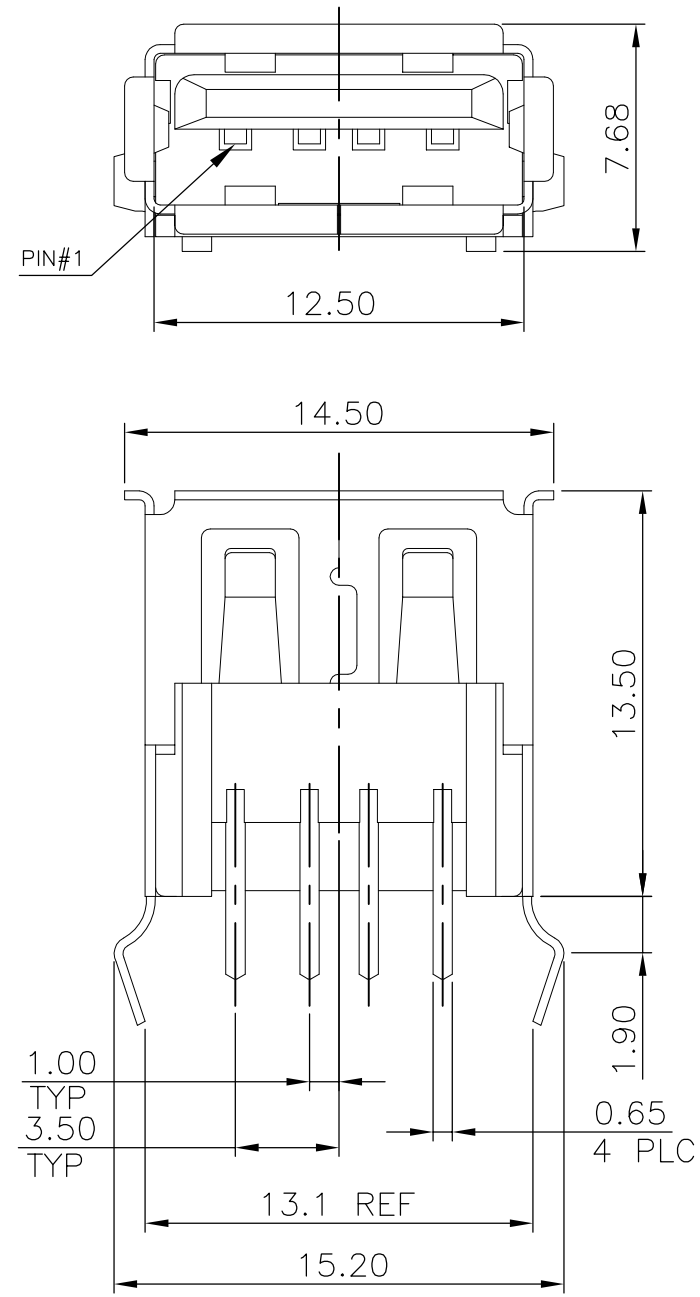
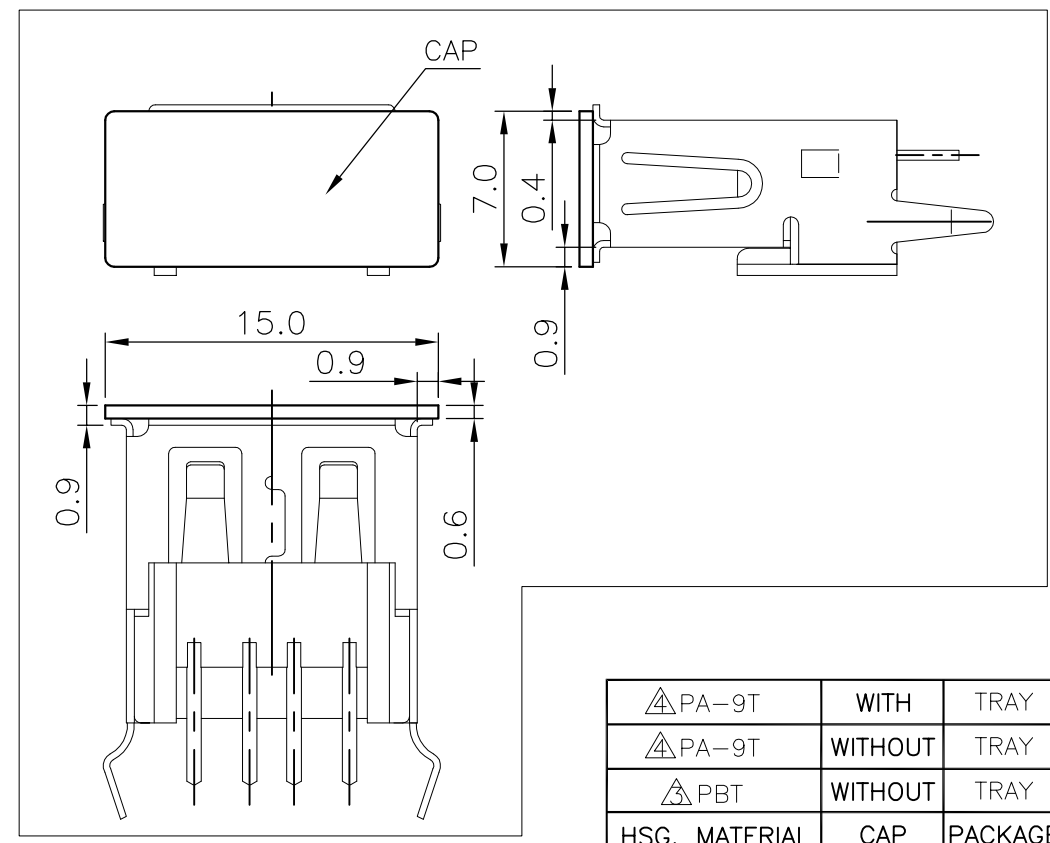


LOC	DIST	REVISIONS			
P	LTR	DESCRIPTION	DATE	DWN	APVD
DW	/	D2	ECR-15-011655	11AUG15	JL WK

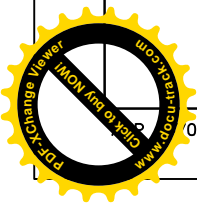


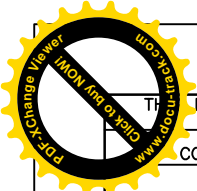
RECOMMEND P.C.B LAYOUT (THICKNESS=1.6mm)  
 (COMPONENT SIDE) TOLERANCE ±0.05



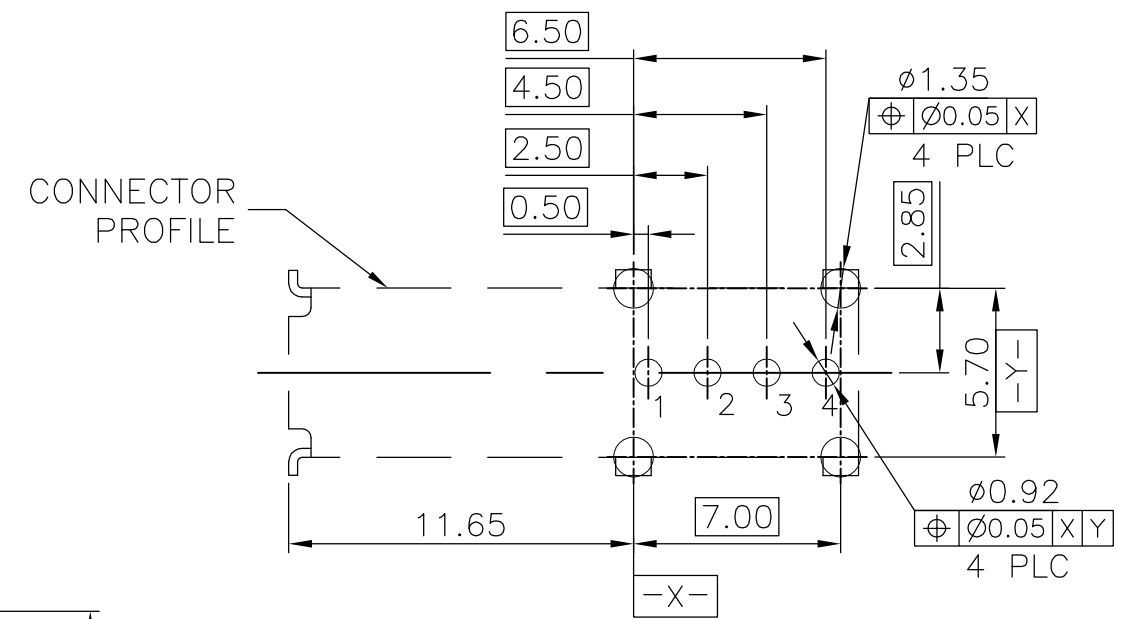
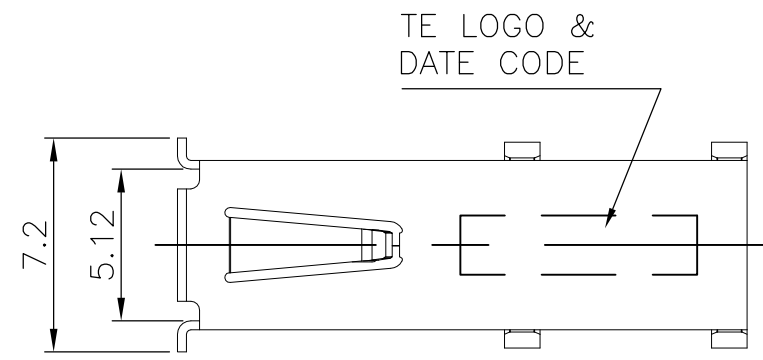
- NOTES:
- MATERIAL:  
 HOUSING: THERMOPLASTIC (SEE TABLE), WITH 30% GF. UL 94V-0 RATED, BLACK COLOR.  
 CAP: THERMOPLASTIC HIGH TEMP WITH 30%GF, UL 94V-0, WHITE COLOR.  
 CONTACT: PHOSPHOR BRONZE.  
 SHIELD: BRASS.
  - FINISH :  
 CONTACT: 0.762µm [30µ"] MIN. GOLD PLATING ON CONTACT AREA.  
 3.048µm [120µ"] MIN. MATTE-TIN PLATING ON SOLDER TAILS.  
 WITH ENTIRE CONTACT UNDERPLATED 1.27µm [50µ"] MIN. NICKEL  
 SHIELD: 0.762µm [30µ"] MIN. NICKEL PLATING WITH  
 0.762µm [30µ"] MIN. Cu UNDERPLATING OVERALL
  - WAVE SOLDER CAPABLE TO 240°C PER TE TEST SPEC. 109-202, CONDITION A.
  - REFLOW SOLDER CAPABLE TO 260°C PER TE TEST SPEC. 109-201, CONDITION B.
  - TID NUMBER IS 61000806 FOR USB 2.0 SPEC.

THIS DRAWING IS A CONTROLLED DOCUMENT.		DWN	O. HU	18MAR2005	TE Connectivity NAME USB CONNECTOR, A SERIES, VERTICAL, DIP TYPE
DIMENSIONS: MM		CHK	S. HOU	18MAR2005	
TOLERANCES UNLESS OTHERWISE SPECIFIED:		APVD	W.J. KE	18MAR2005	
0 PLC ± - 1 PLC ± 0.35 2 PLC ± 0.25 3 PLC ± 0.15 4 PLC ± - ANGLES ± 3°		PRODUCT SPEC		108-57549	
MATERIAL SEE NOTE		FINISH SEE NOTE		APPLICATION SPEC	501-57638
		WEIGHT		1.70 GRAMS	SIZE A3
		CUSTOMER DRAWING		SCALE -	CAGE CODE 00779
				DRAWING NO	C=1734085
				RESTRICTED TO	-
				SHEET	1 OF 9
				REV	D2



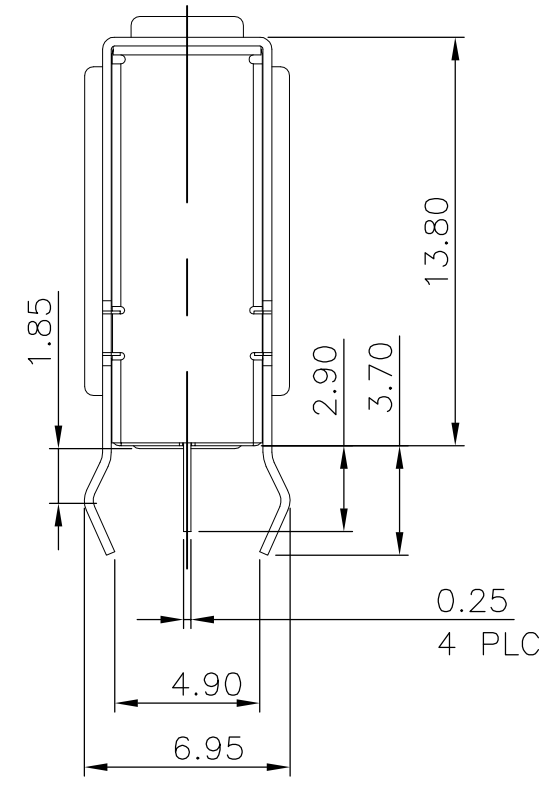
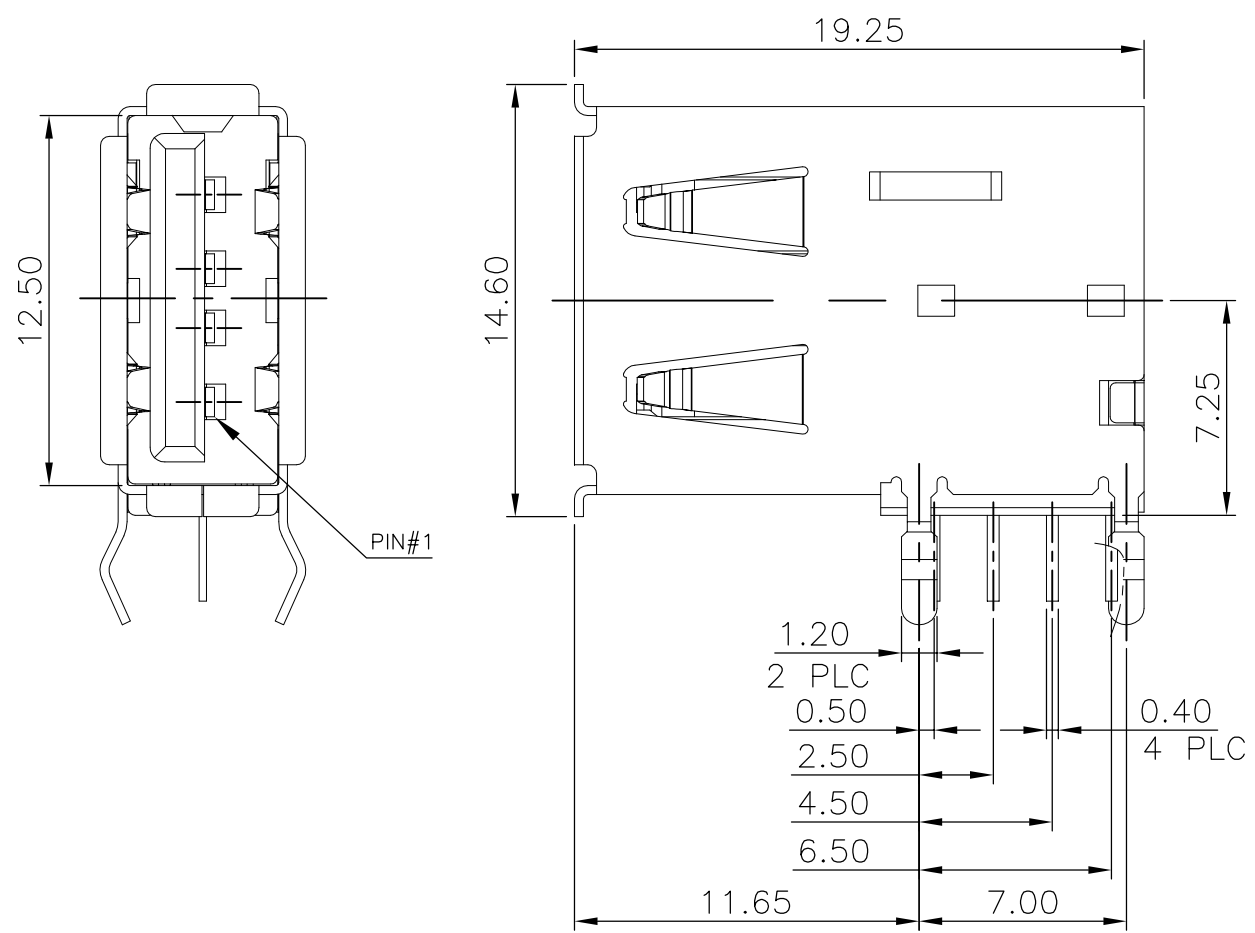


LOC	DIST	REVISIONS			
P	LTR	DESCRIPTION	DATE	DWN	APVD
		SEE SHEET 1.			



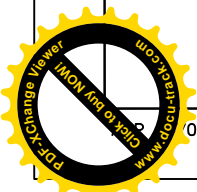
RECOMMEND P.C.B LAYOUT (THICKNESS 1.6mm)  
(COMPONENT SIDE) TOLERANCE ±0.05

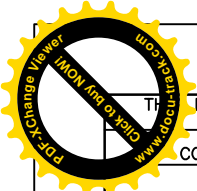
- NOTES :
- MATERIAL:  
HOUSING: THERMOPLASTIC (SEE TABLE), WITH 30% GF. UL94V-0 RATED, BLACK COLOR  
CONTACTS: PHOSPHOR BRONZE.  
SHIELD: BRASS.  
REAR SHIELD: SPCC.
  - FINISH:  
CONTACT: 0.762µm [30µ"] MIN. GOLD PLATING ON CONTACT AREA  
3.048µm [120µ"] MIN. BRIGHT TIN PLATING ON SOLDER TAILS WITH ENTIRE CONTACT UNDERPLATED 1.27µm [50µ"] MIN. NICKEL  
SHIELD: 0.762µm [30µ"] MIN. NICKEL PLATING WITH 0.762µm [30µ"] MIN. Cu UNDERPLATING OVERALL
  - WAVE SOLDER CAPABLE TO 240°C PER TE TEST SPEC. 109-202, CONDITION A.
  - REFLOW SOLDER CAPABLE TO 260°C PER TE TEST SPEC. 109-201, CONDITION B.
  - TID NUMBER IS 61000806 FOR USB 2.0 SPEC.
  - LOW HALOGEN SPECIFICATION:  
CHLORINE(Cl): 900ppm MAX.  
BROMINE(Br): 900ppm MAX.



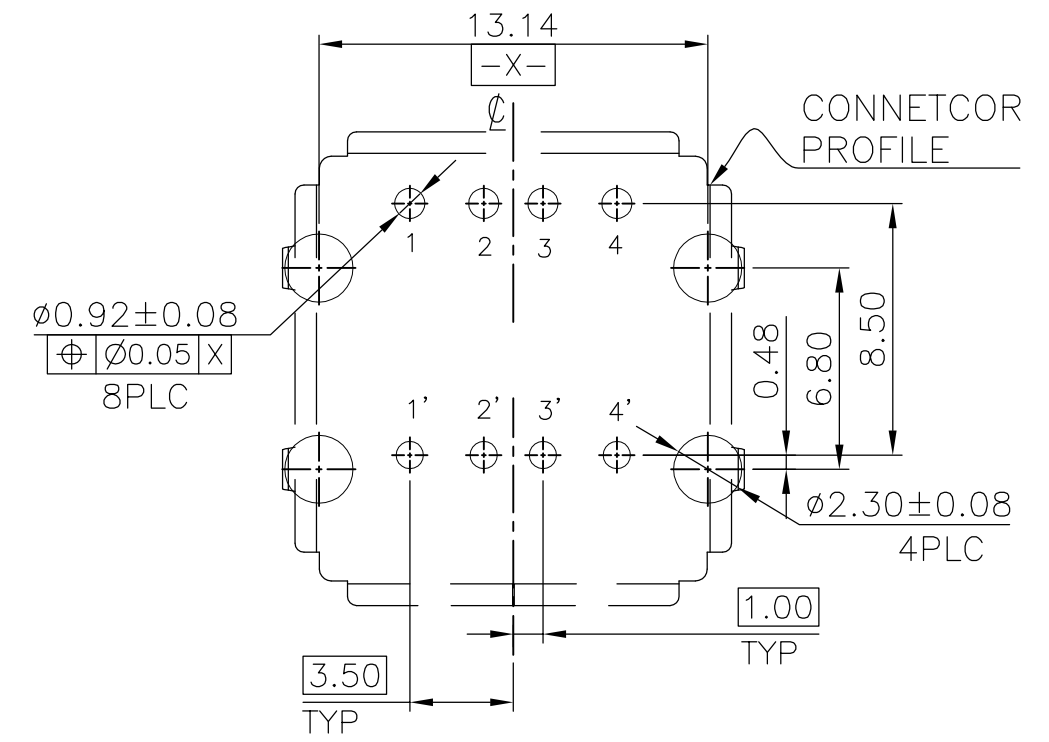
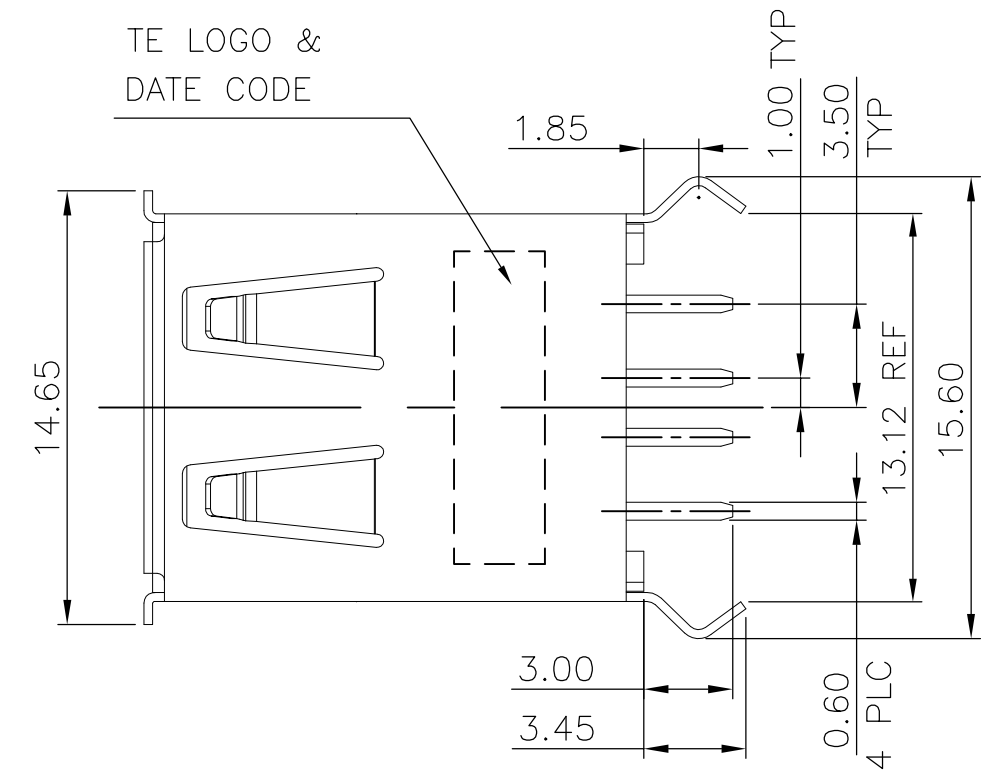
OBSOLETE	⚠️⚠️ LCP	TRAY	1-1734085-3
OBSOLETE	⚠️ PA-9T	TRAY	1-1734085-2
OBSOLETE	⚠️ PBT	TRAY	1-1734085-1
	HSG. MATERIAL	PACKAGE	PART NUMBER

THIS DRAWING IS A CONTROLLED DOCUMENT.		DWN	TE Connectivity	
DIMENSIONS: MM		CHK		
TOLERANCES UNLESS OTHERWISE SPECIFIED:		APVD	NAME	
0 PLC ± -		PRODUCT SPEC	USB CONNECTOR, A SERIES, VERTICAL, DIP TYPE	
1 PLC ± 0.35		APPLICATION SPEC		
2 PLC ± 0.25		WEIGHT 2.8 GRAMS	SIZE A3	CAGE CODE 00779
3 PLC ± 0.15		CUSTOMER DRAWING	DRAWING NO C=1734085	RESTRICTED TO
4 PLC ± -			SCALE -	SHEET 2 OF 9
ANGLES ± 3'				REV D2
MATERIAL SEE NOTE				
FINISH SEE NOTE				

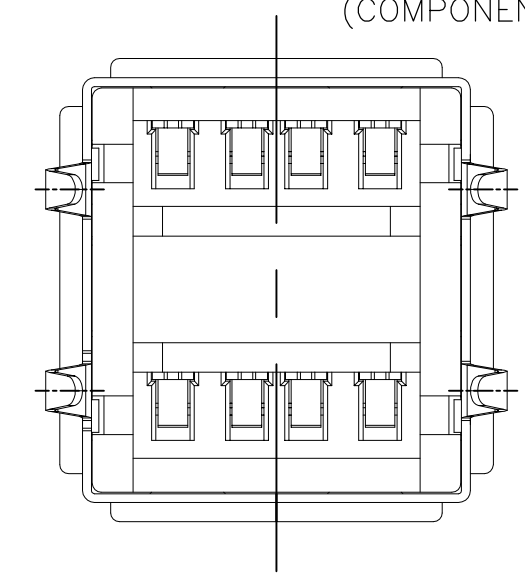
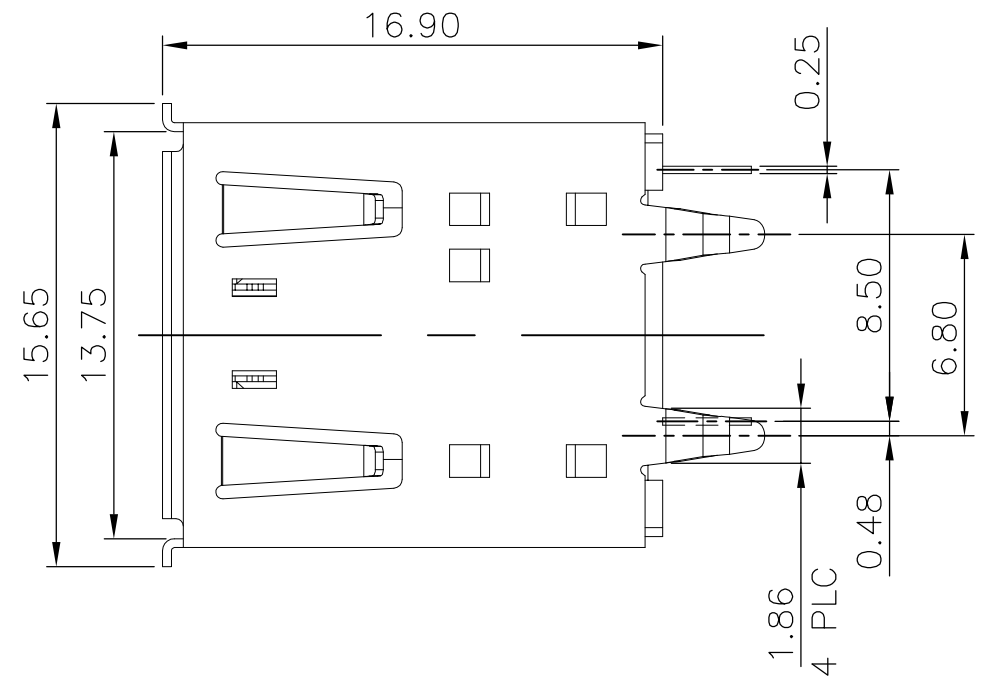
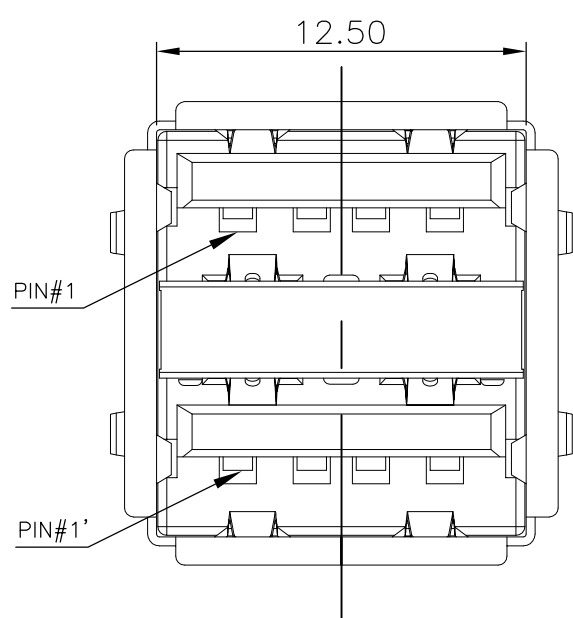




LOC	DIST	REVISIONS			
P	LTR	DESCRIPTION	DATE	DWN	APVD
DW		SEE SHEET 1.			



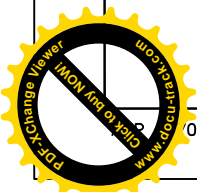
RECOMMEND P.C.B LAYOUT (THICKNESS 1.6mm)  
 (COMPONENT SIDE) TOLERANCE ±0.05mm

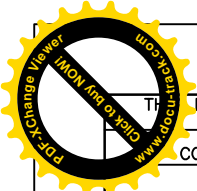


OBSOLETED	PA-9T	TRAY	2-1734085-2
OBSOLETED	PBT	TRAY	2-1734085-1
	HSG. MATERIAL	PACKAGE	PART NUMBER

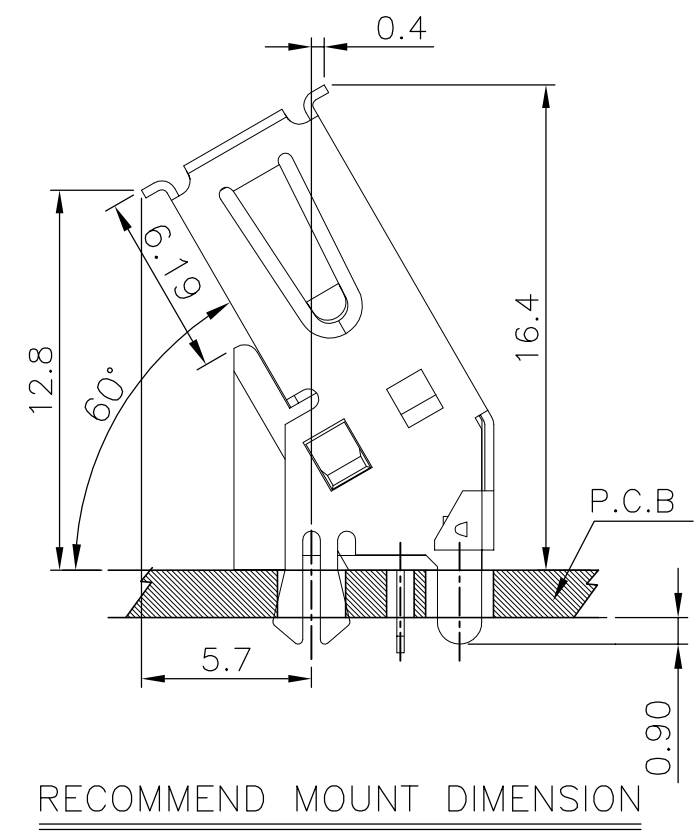
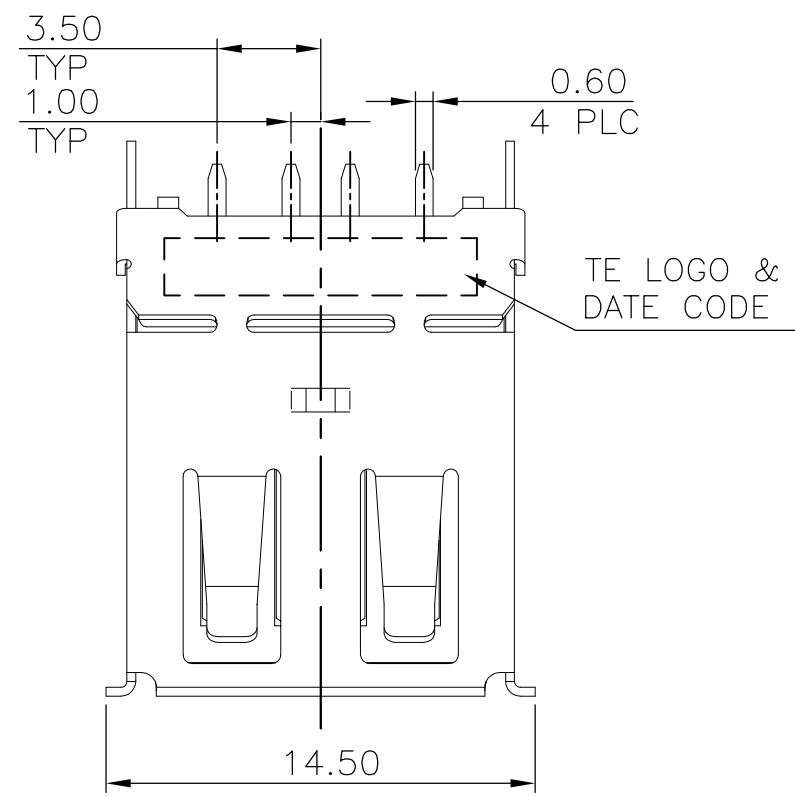
- NOTES:
- MATERIAL:  
 HOUSING: THERMOPLASTIC (SEE TABLE), WITH 30% GF.  
 UL 94V-0 RATED, BLACK COLOR  
 CONTACT: BRASS.  
 SHIELD: BRASS.
  - FINISH:  
 CONTACT: 0.762µm [30µ"] MIN. GOLD PLATING ON CONTACT AREA.  
 3.048µm [120µ"] MIN. BRIGHT TIN PLATING ON SOLDER TAILS  
 WITH ENTIRE CONTACT UNDERPLATED 1.27µm [50µ"] MIN.
- NICKEL  
 SHIELD: 0.762µm [30µ"] MIN. NICKEL PLATING WITH  
 0.762µm [30µ"] MIN. Cu UNDERPLATING OVERALL
- ⚠ WAVE SOLDER CAPABLE TO 240°C PER TE TEST SPEC. 109-202, CONDITION A.  
 ⚠ REFLOW SOLDER CAPABLE TO 260°C PER TE TEST SPEC. 109-201, CONDITION B.
5. TID NUMBER IS 61000806 FOR USB 2.0 SPEC.

THIS DRAWING IS A CONTROLLED DOCUMENT.		DWN		TE Connectivity USB CONNECTOR, A SERIES, VERTICAL, DIP TYPE	
DIMENSIONS: MM		CHK			
TOLERANCES UNLESS OTHERWISE SPECIFIED:		APVD			
0 PLC ± - 1 PLC ± 0.35 2 PLC ± 0.25 3 PLC ± 0.15 4 PLC ± - ANGLES ± 3°		PRODUCT SPEC			
MATERIAL SEE NOTE		FINISH SEE NOTE		NAME	
		WEIGHT 4.57 GRAMS		SIZE A3	
		CUSTOMER DRAWING		CAGE CODE 00779	
				DRAWING NO. 1734085	
				RESTRICTED TO	
				SCALE -	
				SHEET 3 OF 9	
				REV D2	

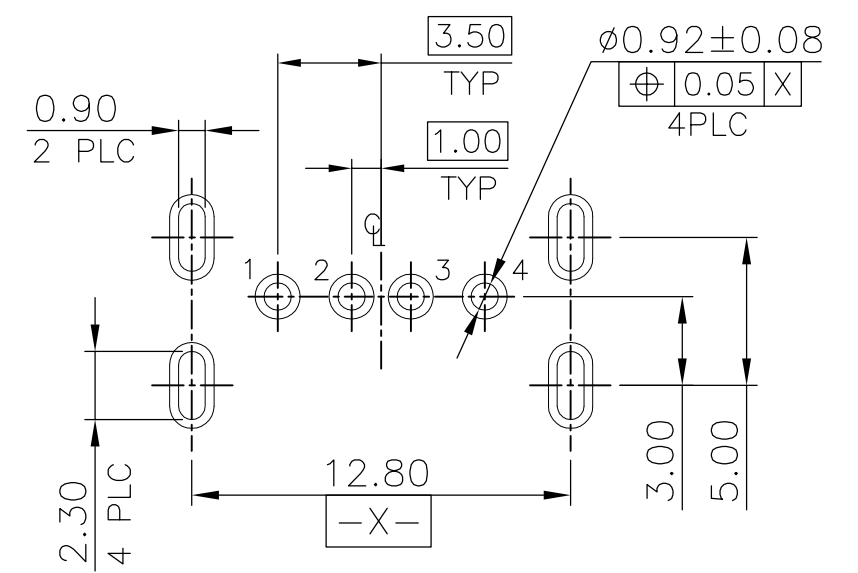
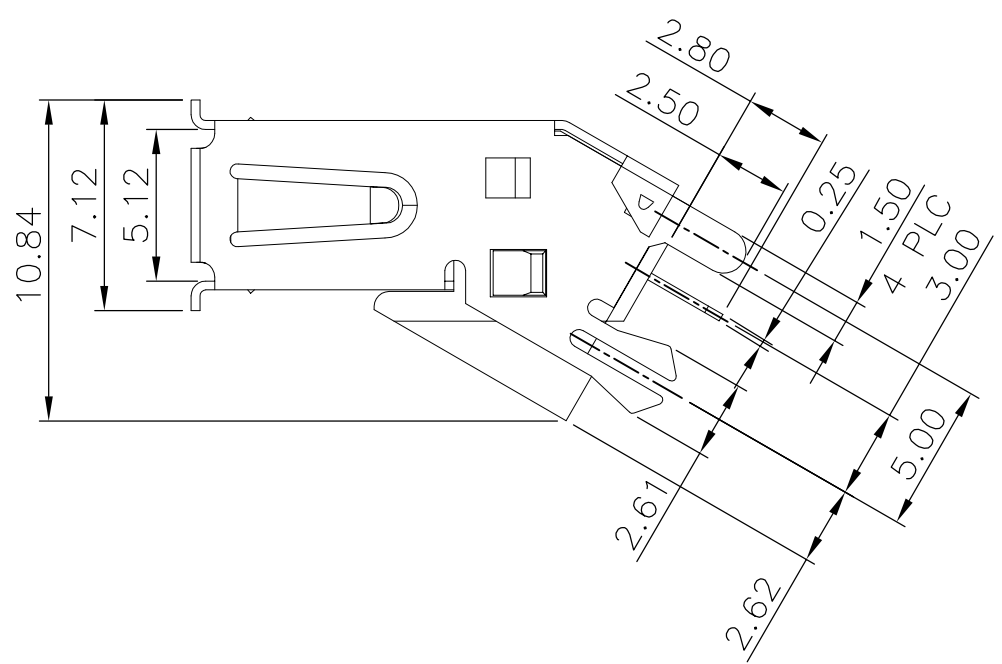
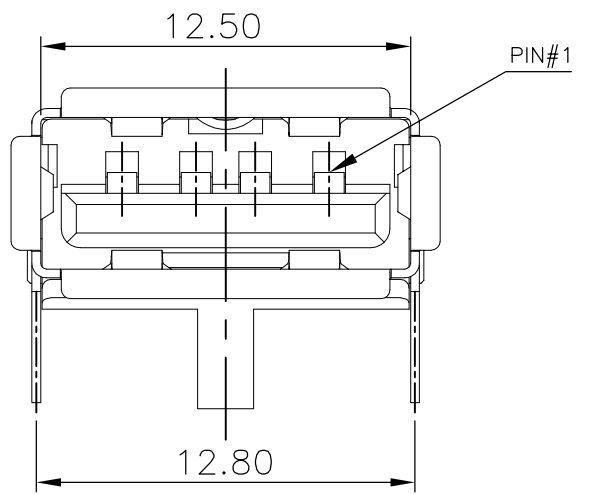




LOC	DIST	REVISIONS			
P	LTR	DESCRIPTION	DATE	DWN	APVD
DW		SEE SHEET 1.			



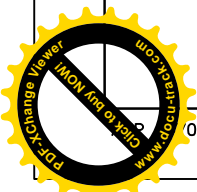
- NOTES:
- MATERIAL:  
 HOUSING: THERMOPLASTIC (SEE TABLE), WITH 30% GF.  
 UL 94V-0 RATED, BLACK COLOR  
 CONTACT: PHOSPHOR BRONZE.  
 SHIELD: BRASS.
  - FINISH:  
 CONTACT: 0.762μm [30μ"] MIN. GOLD PLATING ON CONTACT AREA.  
 3.048μm [120μ"] MIN. BRIGHT TIN PLATING ON  
 SOLDERTAILS WITH ENTIRE CONTACT UNDERPLATED  
 1.27μm [50μ"] MIN. NICKEL  
 SHIELD: 0.762μm [30μ"] MIN. NICKEL PLATING WITH  
 0.762μm [30μ"] MIN. Cu UNDER PLATING OVERALL
- ⚠ WAVE SOLDER CAPABLE TO 240°C PER TE TEST SPEC.  
 109-202, CONDITION A.  
 ⚠ REFLOW SOLDER CAPABLE TO 260°C PER TE TEST SPEC.  
 109-201, CONDITION B.  
 5. TID NUMBER IS 61000806 FOR USB 2.0 SPEC.

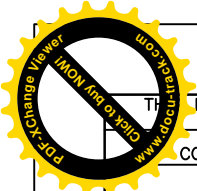


RECOMMEND P.C.B LAYOUT (THICKNESS 1.6mm)  
 (COMPONENT SIDE) TOLERANCE ±0.05mm

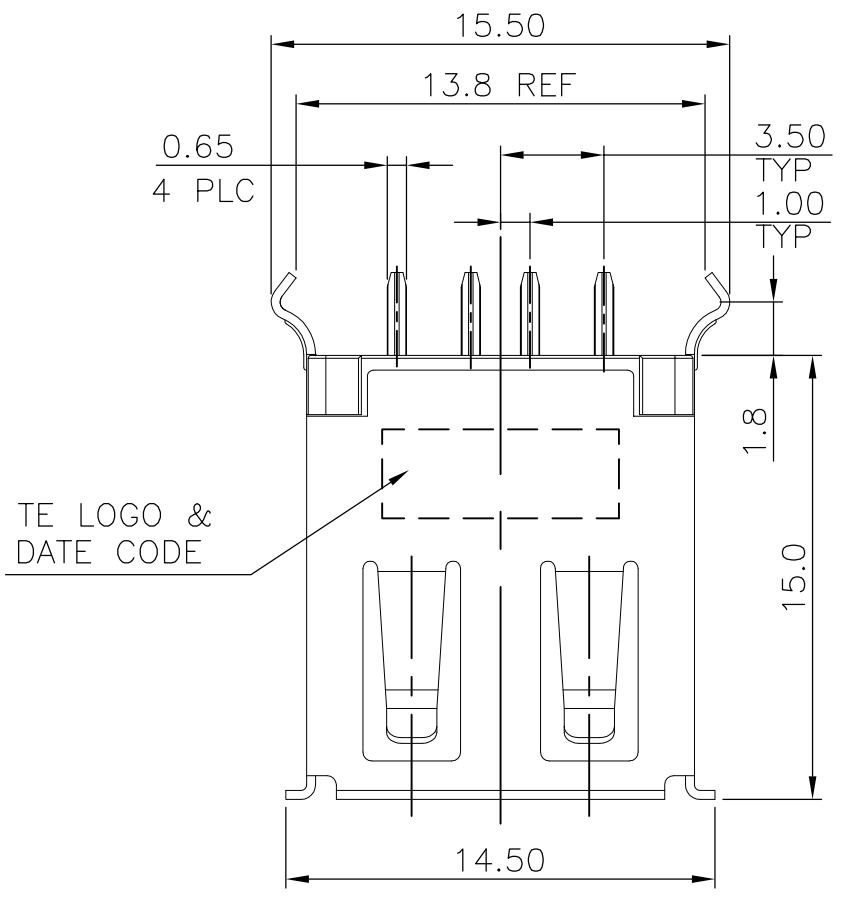
OBSOLETE	⚠ PA-9T	TRAY	3-1734085-2
OBSOLETE	⚠ PBT	TRAY	3-1734085-1
	HSG. MATERIAL	PACKAGE	PART NUMBER

THIS DRAWING IS A CONTROLLED DOCUMENT.		DWN	TE Connectivity				
DIMENSIONS: MM		CHK					
TOLERANCES UNLESS OTHERWISE SPECIFIED:		APVD	NAME				
0 PLC ± - 1 PLC ± 0.35 2 PLC ± 0.25 3 PLC ± 0.15 4 PLC ± - ANGLES ± 3°		PRODUCT SPEC	USB CONNECTOR, A SERIES, VERTICAL, DIP TYPE				
MATERIAL SEE NOTE		FINISH SEE NOTE	APPLICATION SPEC	SIZE	CAGE CODE	DRAWING NO	RESTRICTED TO
		WEIGHT 2.16 GRAMS	CUSTOMER DRAWING	A3	00779	C=1734085	
			SCALE	SHEET	4 OF 9	REV	D2



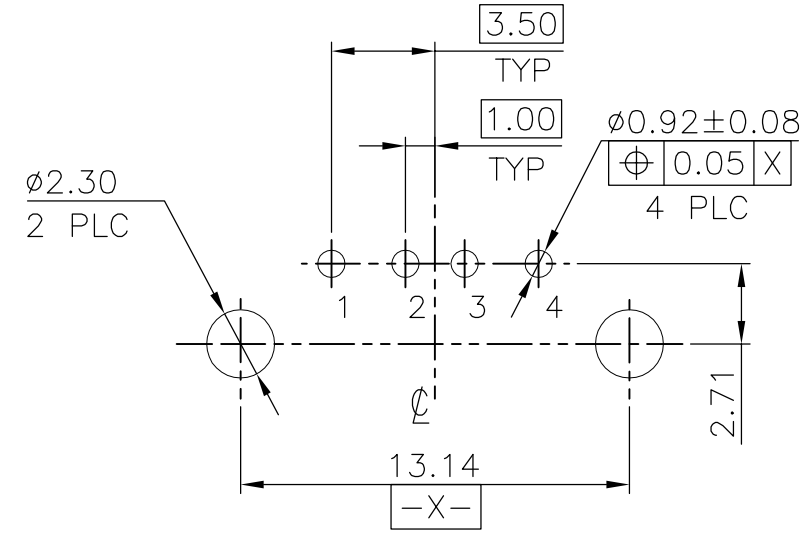
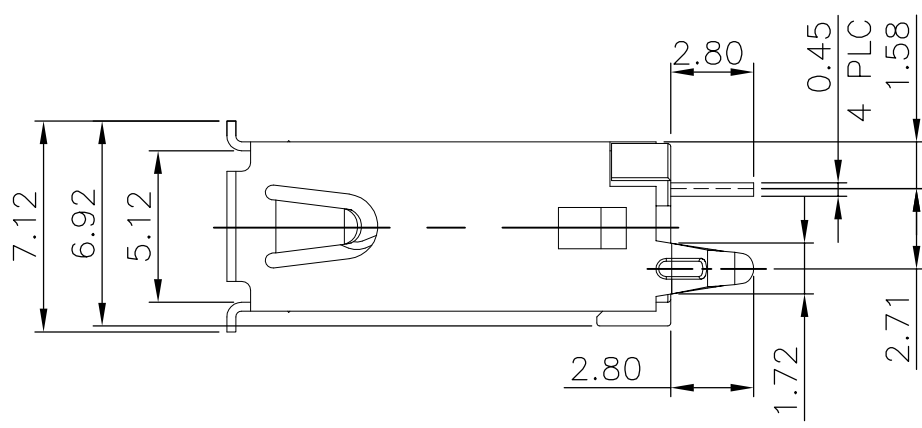
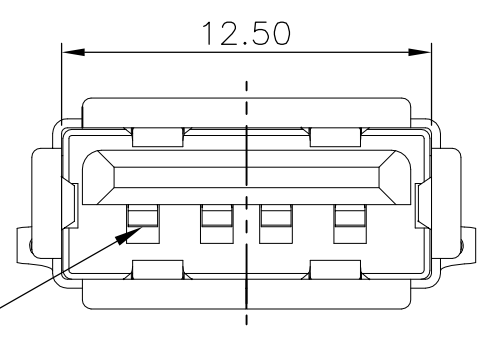


LOC	DIST	REVISIONS			
P	LTR	DESCRIPTION	DATE	DWN	APVD
DW	/	SEE SHEET 1.			



TE LOGO & DATE CODE

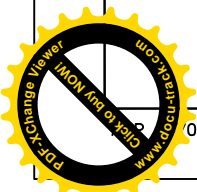
- NOTES:
- MATERIAL:  
HOUSING: THERMOPLASTIC (SEE TABLE), WITH 30% GF. UL 94V-0 RATED, BLACK: SEE TABLE.  
CONTACT: PHOSPHOR BRONZE.  
SHIELD: BRASS.
  - FINISH :  
CONTACT: 0.762μm [30μ"] MIN. GOLD PLATING ON CONTACT AREA.  
3.048μm [120μ"] MIN. BRIGHT TIN PLATING ON SOLDER TAILS WITH ENTIRE CONTACT UNDERPLATED 1.27μm [50μ"] MIN. NICKEL.  
SHIELD: 0.762μm [30μ"] MIN. NICKEL PLATING WITH 0.762μm [30μ"] MIN. Cu UNDER PLATING OVERALL
  - WAVE SOLDER CAPABLE TO 240°C PER TE TEST SPEC. 109-202, CONDITION A.
  - REFLOW SOLDER CAPABLE TO 260°C PER TE TEST SPEC. 109-201, CONDITION B.
  - TID NUMBER IS 61000806 FOR USB 2.0 SPEC.



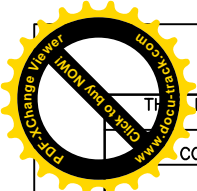
RECOMMEND P.C.B LAYOUT (THICKNESS 1.6mm)  
(COMPONENT SIDE) TOLERANCE ±0.05mm

NATURE	△ PA-9T	TRAY	4-1734085-2
WHITE	△ PBT	TRAY	4-1734085-1
HSG. COLOR	HSG. MATERIAL	PACKAGE	PART NUMBER

THIS DRAWING IS A CONTROLLED DOCUMENT.		DWN	TE Connectivity	
DIMENSIONS: MM		CHK		
TOLERANCES UNLESS OTHERWISE SPECIFIED:		APVD	NAME	
0 PLC ± -		PRODUCT SPEC	USB CONNECTOR, A SERIES, VERTICAL, DIP TYPE	
1 PLC ± 0.35		APPLICATION SPEC		
2 PLC ± 0.25		WEIGHT 1.70 GRAMS	SIZE A3	CAGE CODE 00779
3 PLC ± 0.15		CUSTOMER DRAWING	DRAWING NO C=1734085	RESTRICTED TO
4 PLC ± -			SCALE -	SHEET 5 OF 9
ANGLES ± 3'				REV D2
MATERIAL SEE NOTE				
FINISH SEE NOTE				







4

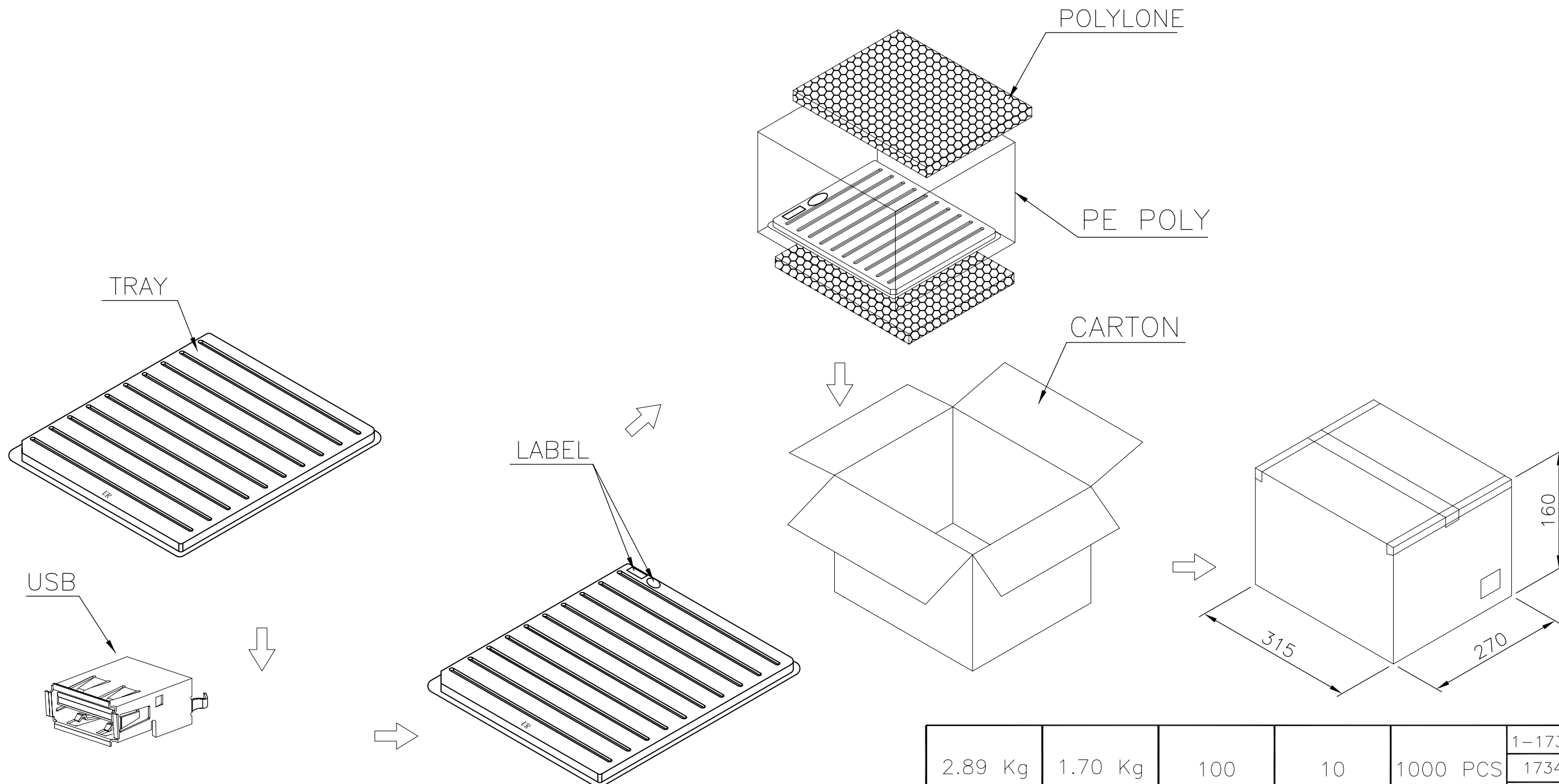
3

2

1

DRAWING IS UNPUBLISHED. RELEASED FOR PUBLICATION AUG ,2006.  
 COPYRIGHT 2009 BY TYCO ELECTRONICS CORPORATION. ALL RIGHTS RESERVED.

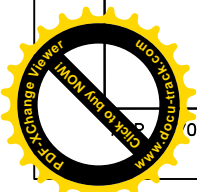
LOC	DIST	REVISIONS				
P	LTR	DESCRIPTION	DATE	DWN	APVD	
DW		SEE SHEET 1.				

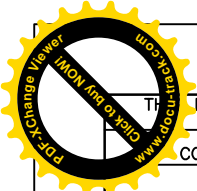


2.89 Kg	1.70 Kg	100	10	1000 PCS	1-1734085-X
GROSS WEIGHT	NET WEIGHT	PCS/TRAY	TRAYS /CARTON	QUANTITY	PART NUMBER
					1734085-2
					1734085-1

THIS DRAWING IS A CONTROLLED DOCUMENT.

DIMENSIONS: MM	TOLERANCES UNLESS OTHERWISE SPECIFIED: 0 PLC ± - 1 PLC ± - 2 PLC ± - 3 PLC ± - 4 PLC ± - ANGLES ± -	DWN CHK APVD PRODUCT SPEC APPLICATION SPEC WEIGHT	TE Connectivity NAME USB CONNECTOR, A SERIES, VERTICAL, DIP TYPE	
MATERIAL	FINISH	CUSTOMER DRAWING	SIZE A3	CAGE CODE 00779
			DRAWING NO C=1734085	RESTRICTED TO
			SCALE	SHEET 6 OF 9
				REV D2





4

3

2

1

DRAWING IS UNPUBLISHED.

RELEASED FOR PUBLICATION

AUG ,2006.

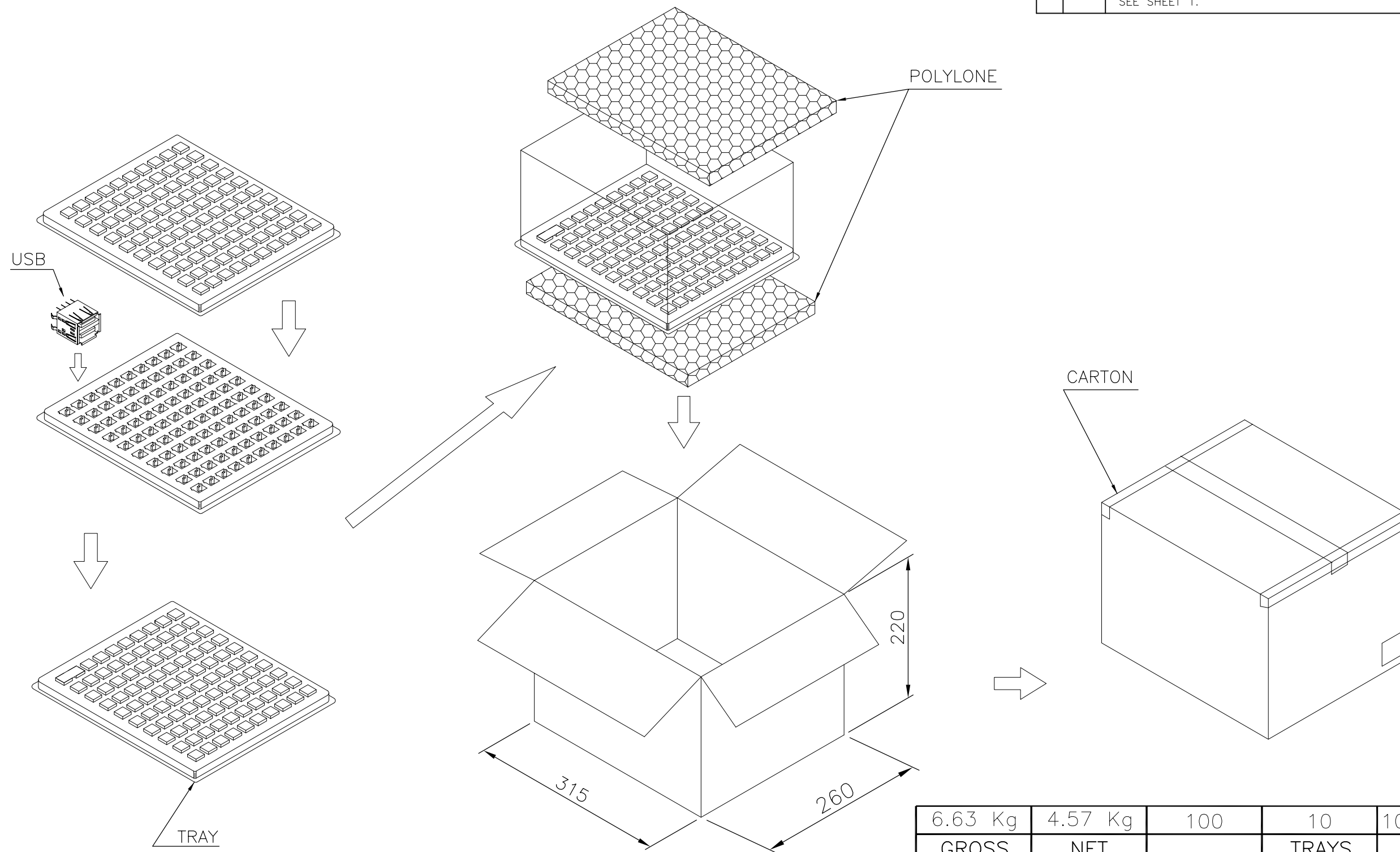
COPYRIGHT 2009 BY TYCO ELECTRONICS CORPORATION. ALL RIGHTS RESERVED.

LOC  
DW

DIST

REVISIONS

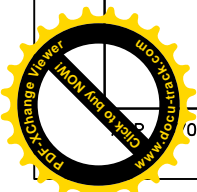
P	LTR	DESCRIPTION	DATE	DWN	APVD
		SEE SHEET 1.			

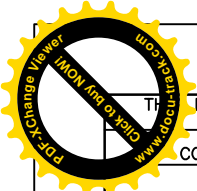


6.63 Kg	4.57 Kg	100	10	1000 PCS	2-1734085-X
GROSS WEIGHT	NET WEIGHT	PCS/TRAY	TRAYS /CARTON	QUANTITY	PART NUMBER

THIS DRAWING IS A CONTROLLED DOCUMENT.

DIMENSIONS: MM	TOLERANCES UNLESS OTHERWISE SPECIFIED:	DWN	TE Connectivity USB CONNECTOR, A SERIES, VERTICAL, DIP TYPE
	0 PLC ± -	CHK	
	1 PLC ± -	APVD	
	2 PLC ± -	PRODUCT SPEC	
	3 PLC ± -	APPLICATION SPEC	NAME
	4 PLC ± -		SIZE
	ANGLES ± -		CAGE CODE
MATERIAL	FINISH	WEIGHT	DRAWING NO
			RESTRICTED TO
		CUSTOMER DRAWING	SCALE
			SHEET
			7 of 9
			REV D2





4

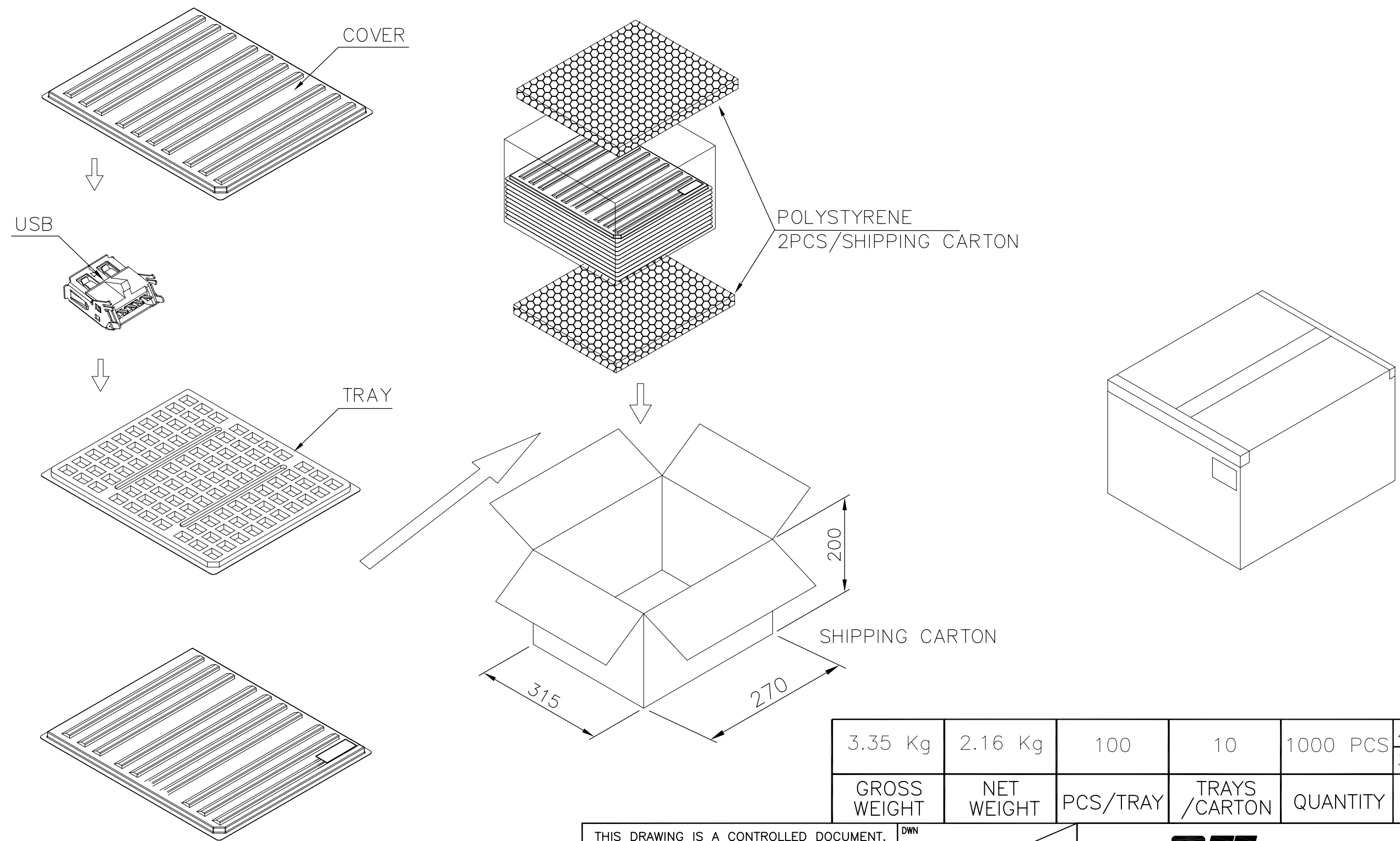
3

2

1

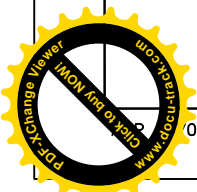
DRAWING IS UNPUBLISHED. RELEASED FOR PUBLICATION AUG ,2006.  
 COPYRIGHT 2009 BY TYCO ELECTRONICS CORPORATION. ALL RIGHTS RESERVED.

LOC	DIST	REVISIONS				
P	LTR	DESCRIPTION	DATE	DWN	APVD	
		SEE SHEET 1.				

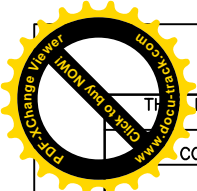


3.35 Kg	2.16 Kg	100	10	1000 PCS	4-1734085-X
					3-1734085-X
GROSS WEIGHT	NET WEIGHT	PCS/TRAY	TRAYS /CARTON	QUANTITY	PART NUMBER

THIS DRAWING IS A CONTROLLED DOCUMENT.		DWN		TE Connectivity NAME USB CONNECTOR, A SERIES, VERTICAL, DIP TYPE	
DIMENSIONS: MM		CHK			
		APVD			
TOLERANCES UNLESS OTHERWISE SPECIFIED: 0 PLC ± - 1 PLC ± - 2 PLC ± - 3 PLC ± - 4 PLC ± - ANGLES ± -		PRODUCT SPEC			
MATERIAL		WEIGHT		APPLICATION SPEC	
FINISH		CUSTOMER DRAWING		RESTRICTED TO	
		SCALE		SIZE CAGE CODE DRAWING NO	
		SHEET 8 of 9		A3 00779 C=1734085	
		REV D2			







4

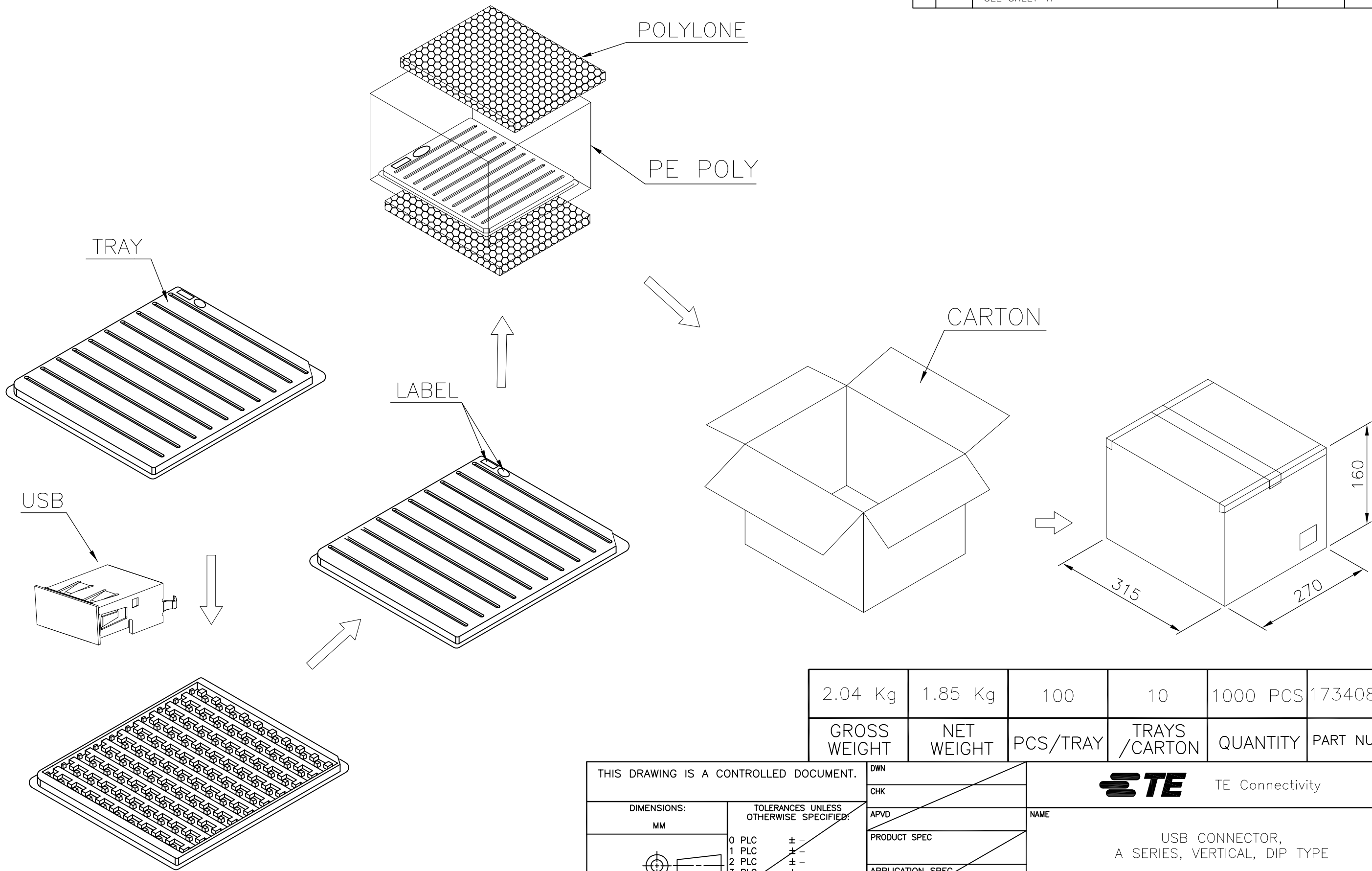
3

2

1

DRAWING IS UNPUBLISHED. RELEASED FOR PUBLICATION AUG ,2006.  
 COPYRIGHT 2009 BY TYCO ELECTRONICS CORPORATION. ALL RIGHTS RESERVED.

LOC	DIST	REVISIONS			
P	LTR	DESCRIPTION	DATE	DWN	APVD
		SEE SHEET 1.			



2.04 Kg	1.85 Kg	100	10	1000 PCS	1734085-3
GROSS WEIGHT	NET WEIGHT	PCS/TRAY	TRAYS /CARTON	QUANTITY	PART NUMBER

THIS DRAWING IS A CONTROLLED DOCUMENT.		DWN	TE Connectivity USB CONNECTOR, A SERIES, VERTICAL, DIP TYPE				
DIMENSIONS: MM		CHK					
		APVD					
TOLERANCES UNLESS OTHERWISE SPECIFIED: 0 PLC ± - 1 PLC ± - 2 PLC ± - 3 PLC ± - 4 PLC ± - ANGLES ± -		PRODUCT SPEC					
MATERIAL		FINISH	APPLICATION SPEC	SIZE	CAGE CODE	DRAWING NO	RESTRICTED TO
			WEIGHT	A3	00779	C=1734085	
CUSTOMER DRAWING			SCALE	SHEET	9 of 9	REV	D2

